

---

DESPIECE TECNICO

---

**Freidoras  
Fryers  
Friteuse  
Fritteusen  
Friggitrici  
Fritadeiras**

**GAMA 700**

**Modelos:**

**FG7-05**

**FG7-10**

**FE7-05**

**FE7-10**

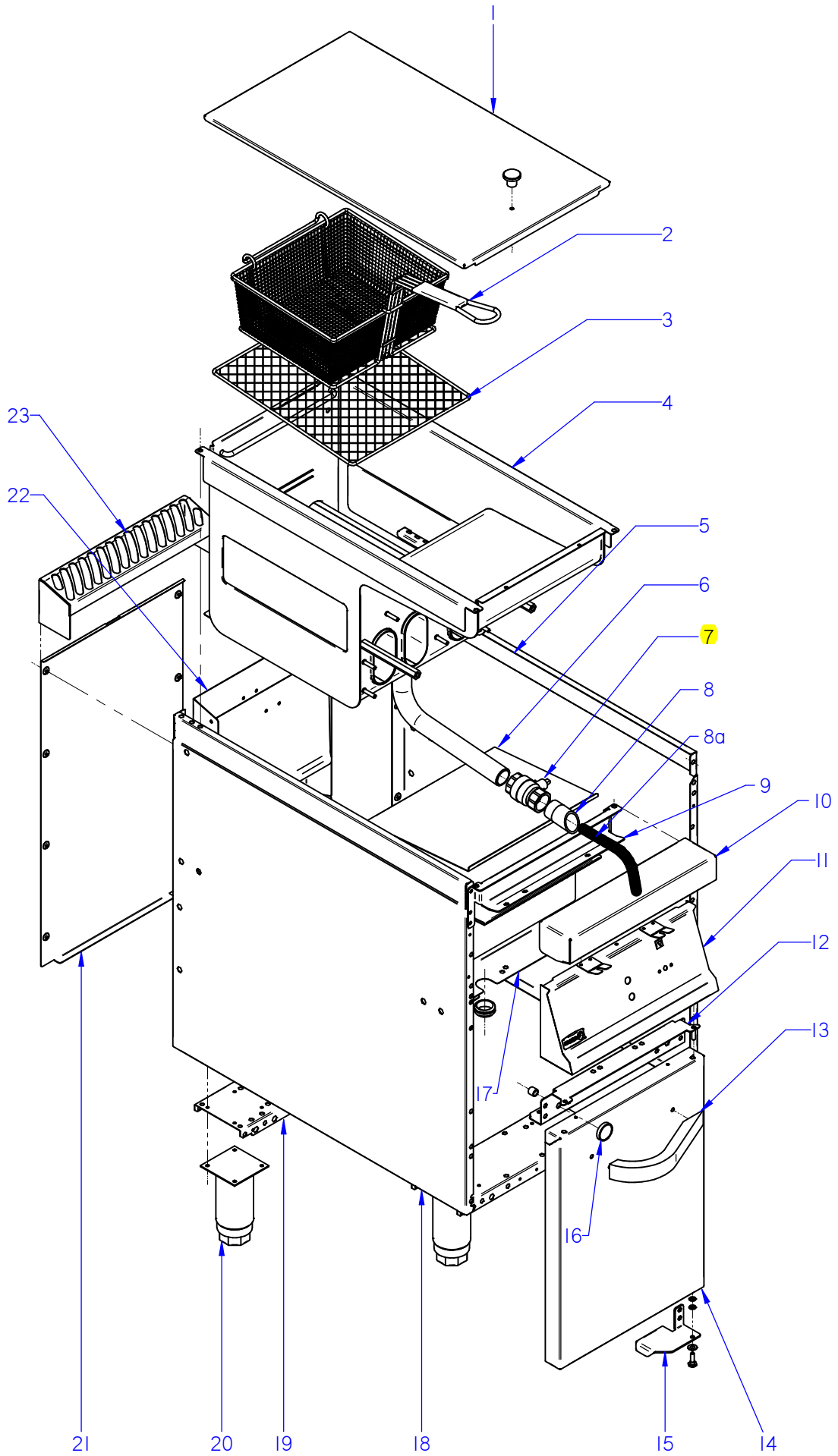
*Junio 2008 June*

*rev 042022*



---

F A G O R I N D U S T R I A L



ITEM MARCADO EN COLOR = REPUESTO RECOMENDADO  
 COLOURED ITEM = RECOMMENDED SPARE PART

N plano	Firma	Fecha	Aparato	MUEBLE	Lamina	Fagor Industrial S.Coop. <b>FAGOR</b>
C-2091	<i>[Signature]</i>	2008-06	FREIDORA G-700		1	Oñate

MOD.	FREIDORAS		ZONA	MUEBLE				PLANO	C-2091
ITEM	CODIGO	DENOMINACION	TEXTO	FG7-05 1C	FG7-05 2C	FG7-10 2C	FG7-10 4C		NOTAS
1	X606110000	TAPA FG-700	COVER FG-700	1	1	2	2		
	X166154000	POMO PARA TAPA	COVER KNOB	1	1	2	2		
	Q152004000	TORNIL. APLASTADO M5X13 A 304	FLAT HEADED SCREW M5x13 A 304	1	1	2	2		
2	X316531000	CESTILLO GRANDE G700	LARGE BASKET G700	1	—	2	—		
2	X316532000	CESTILLO PEQUEÑO G700	SMALL BASKET G700	—	2	—	4		
3	X316502000	REJILLA COMPLETA	COMPLETE GRILLE	1	1	2	2		
4	X606104000	CUBA COMPLETA FG-705	COMPLETE TUB FG-705	1	1	2	2		
	X316111000	AISLANTE 360X360X20 AL2C	INSULATION 360X360X20 AL2C	1	1	2	2		
	Q012031000	TORNILLO EXAGONAL M5X10 A.304	HEXAGONAL BOLT M5X10 A.304	4	4	8	8		
5	U912802000	PANEL LATERAL DCHO. G700	RIGHT SIDE PANEL G700	1	1	2	2		
	Q221342000	REMACHE EXAGONAL M5	HEXAGONAL RIVET M5	6	6	12	12		
	Q221343000	REMACHE EXAGONAL M6	HEXAGONAL RIVET M6	11	11	22	22		SISTEMA PUENTE
6	X606109000	CHAPA PROTECCION CUBA G700	TUB PROTECTION PLATE G700	1	1	2	2		
	Q163040000	TUERCA EXAGONAL M6 LATON	HEXAGONAL NUT M6 BRASS	3	3	6	6		
	Q302022000	ARANDELA 16X6X1.2 A.304	WASHER 16X6X1.2 A.304	3	3	6	6		
7	X036107000	VALVULA ESFERA PASO TOTAL 1	SPHERICAL VALVE TOTAL PASS	1	1	2	2		
8	X506129000	PUNTA DESAGÜE (CUBA LIMPIA)	DRAINAGE POINT (CLEAN TUB)	1	1	2	2		
8a	11000006	TUBO SILICONA BAJA Tª D 38*31	SILICONE PIPE Tª D 38 * 31	1	1	2	2		
9	X602606000	ESCUADRA AMARRE ANTER. FG7-	FRONT FASTENING BRACKET FG	1	1	2	2		
	Q221342000	REMACHE EXAGONAL M5	HEXAGONAL RIVET M5	5	5	10	10		
	Q012031000	TORNILLO EXAGONAL M5X10 A.304	HEXAGONAL BOLT M5X10 A.304	6	6	12	12		
10	H125403000	ANTERIOR MESA 1/2M G-700	FRONT BENCH 1/2M G-700	1	1	—	—		
10	H125409000	ANTERIOR MESA 1M G-700	FRONT BENCH 1M G-700	—	—	1	1		
	Q152004000	TORNIL. APLASTADO M5X13 A 304	FLAT HEADED SCREW M5x13 A 304	2	2	4	4		
	Q302022000	ARANDELA 16X6X1.2 A.304	WASHER 16X6X1.2 A.304	2	2	4	4		
11	X602802000	PORTAMANDOS COMP. FG-705	COMP. CONTROL HOLDER FG-70	1	1	—	—		
11	X602804000	PORTAMANDOS COMP. FG-710	COMP. CONTROL HOLDER FG-71	—	—	1	1		
	Q152004000	TORNIL. APLASTADO M5X13 A 304	FLAT HEADED SCREW M5x13 A 304	2	2	4	4		
	Q302022000	ARANDELA 16X6X1.2 A.304	WASHER 16X6X1.2 A.304	2	2	4	4		
	U912805000	ESCUDO FAGOR G700	FAGOR EMBLEM G700	1	1	1	1		
	Q221023000	CLIP SUJECIÓN RÁPIDA Ø5	RAPID CONNECT CLIP Ø5	2	2	2	2		

MOD.		FREIDORAS		ZONA	MUEBLE				PLANO	C-2091
ITEM	CODIGO	DENOMINACION	TEXTO	FG7-05 1C	FG7-05 2C	FG7-10 2C	FG7-10 4C			NOTAS
12	X602603000	LISTON BISAGRA SUPERIOR DCHA	UPPER RIGHT HINGE STRIP	1	1	1	1			
S/Nº	X602610000	LISTON BISAGRA SUPERIOR IZDA.	UPPER LEFT HINGE STRIP	-	-	1	1			
	Q221342000	REMACHE EXAGONAL M5	HEXAGONAL RIVET M5	7	7	12	12			
	Q152004000	TORNIL. APLASTADO M5X13 A 304	FLAT HEADED SCREW M5x13 A 304	2	2	4	4			
13	U910506000	ASA ARMARIO COMPLETO G700	FULL CUPBOARD HANDLE G700	1	1	2	2			
	Q162040000	TUERCA EXAGONAL M6	HEXAGONAL NUT M6	2	2	4	4			
	Q232040000	ARANDELA A6	WASHER A6	2	2	4	4			
14	U910503000	PUERTA LATERAL G700	SIDE DOOR G700	1	1	2	2			
	U910504000	CONTRAPUERTA LATERAL G 700	SIDE DOOR REVERSE G 700	1	1	2	2			
	Q419005000	REMACHE 4X8 ALMG3 / ALUMINIO	RIVET 4X8 ALMG3 / ALUMINIUM	4	4	8	8			
15	U020511000	BISAGRA DERECHA INFERIOR	LOWER RIGHT HINGE	1	1	1	1			
	U020517000	BISAGRA IZQUIERDA INFERIOR	LEFT LOWER HINGE	-	-	1	1			
	X960504000	TORNILLO DE GIRO M8	ROTATION BOLT M8	1	1	2	2			
	Q232040000	ARANDELA A6	WASHER A6	2	2	4	4			
	Q232050000	ARANDELA A8	WASHER A8	1	1	2	2			
	Q221342000	REMACHE EXAGONAL M5	HEXAGONAL RIVET M5	2	2	4	4			
16	X960501000	IMAN	MAGNET	1	1	2	2			
	X960502000	FIJACION IMAN	MAGNET ATTACHMENT	1	1	2	2			
	Q012021000	TORNILLO EXAGONAL M4X10	HEXAGONAL BOLT M4x10	1	1	2	2			
17	X612603000	CHAPA PROTECC. TERMOSTATO	THERMOSTAT PROTECTION PLATE	1	1	2	2			
	Q221342000	REMACHE EXAGONAL M5	HEXAGONAL RIVET M5	2	2	4	4			
	X723014000	PASAMUROS Ø 30	WALL BUSHING Ø 30	2	2	2	2			
18	U912801000	PANEL LATERAL IZDO. G700	LEFT SIDE PANEL G700	1	1	2	2			
	Q221342000	REMACHE EXAGONAL M5	HEXAGONAL RIVET M5	6	6	12	12			
	Q221343000	REMACHE EXAGONAL M6	HEXAGONAL RIVET M6	4	4	8	8			
	Q221343000	REMACHE EXAGONAL M6	HEXAGONAL RIVET M6	7	7	14	14			SISTEMA PUENTE
19	X602601000	LISTON SOPORTE PATAS FG7-05	LEG SUPPORT STRIP FG7-05	2	2	-	-			
19	X602609000	LISTON SOPORTE PATAS FG7-10	LEG SUPPORT STRIP FG7-10	-	-	2	2			
	Q221343000	REMACHE EXAGONAL M6	HEXAGONAL RIVET M6	4	4	4	4			
20	X260151000	PATA REGULABLE	ADJUSTABLE LEG	4	4	4	4			
	Q411304000	REMACHE AVIBULB Ø 4,8	AVIBULB RIVET Ø 4.8	16	16	16	16			

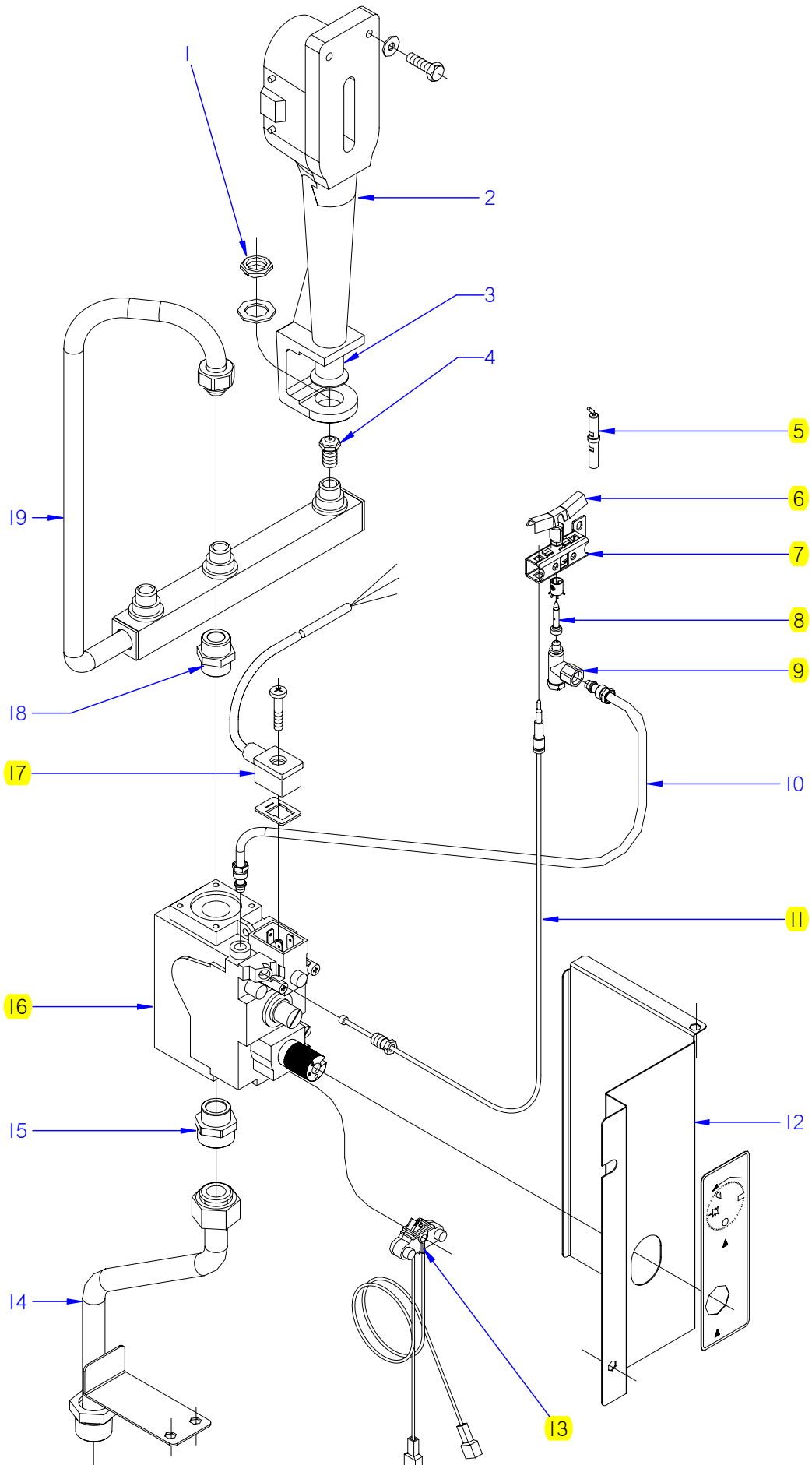


MOD.		FREIDORAS		ZONA	MUEBLE				PLANO	C-2091
ITEM	CODIGO	DENOMINACION	TEXTO	FE7-05 1C	FE7-05 2C	FE7-10 2C	FE7-10 4C			NOTAS
1	X616106000	TAPA FE-700	COVER FE-700	1	1	2	2			
	X166154000	POMO PARA TAPA	COVER KNOB	1	1	2	2			
	Q152004000	TORNIL. APLASTADO M5X13 A 304	FLAT HEADED SCREW M5x13 A 304	1	1	2	2			
2	X316531000	CESTILLO GRANDE G700	LARGE BASKET G700	1	-	2	-			
2	X316532000	CESTILLO PEQUEÑO G700	SMALL BASKET G700	-	2	-	4			
3	X616501000	REJILLA FE7-00	GRILLE FE7-00	1	1	2	2			
4	X616104000	CUBA COMPLETA FE-700	COMPLETE TUB FE-700	1	1	2	2			
	Q012031000	TORNILLO EXAGONAL M5X10 A.304	HEXAGONAL BOLT M5X10 A.304	4	4	8	8			
5	U912802000	PANEL LATERAL DCHO. G700	RIGHT SIDE PANEL G700	1	1	2	2			
	Q221342000	REMACHE EXAGONAL M5	HEXAGONAL RIVET M5	6	6	12	12			
	Q221343000	REMACHE EXAGONAL M6	HEXAGONAL RIVET M6	4	4	8	8			
	Q221343000	REMACHE EXAGONAL M6	HEXAGONAL RIVET M6	7	7	14	14			SISTEMA PUENTE
6	X606109000	CHAPA PROTECCION CUBA G700	TUB PROTECTION PLATE G700	-	-	-	-			
7	X036107000	VALVULA ESFERA PASO TOTAL 1	SPHERICAL VALVE TOTAL PASS	1	1	2	2			
8	X506129000	PUNTA DESAGÜE (CUBA LIMPIA)	DRAINAGE POINT (CLEAN TUB)	1	1	2	2			
9	X602606000	ESCUADRA AMARRE ANTER. FG7-	FRONT FASTENING BRACKET FG7-	1	1	2	2			
	Q221342000	REMACHE EXAGONAL M5	HEXAGONAL RIVET M5	5	5	10	10			
	Q012031000	TORNILLO EXAGONAL M5X10 A.304	HEXAGONAL BOLT M5X10 A.304	6	6	12	12			
10	H125403000	ANTERIOR MESA 1/2M G-700	FRONT BENCH 1/2M G-700	1	1	-	-			
10	H125409000	ANTERIOR MESA 1M G-700	FRONT BENCH 1M G-700	-	-	1	1			
	Q152004000	TORNIL. APLASTADO M5X13 A 304	FLAT HEADED SCREW M5x13 A 304	2	2	4	4			
	Q302022000	ARANDELA 16X6X1.2 A.304	WASHER 16X6X1.2 A.304	2	2	4	4			
11	X602802000	PORTAMANDOS COMP. FG-705	COMP. CONTROL HOLDER FG-705	1	1	-	-			
11	X602804000	PORTAMANDOS COMP. FG-710	COMP. CONTROL HOLDER FG-710	-	-	1	1			
	Q152004000	TORNIL. APLASTADO M5X13 A 304	FLAT HEADED SCREW M5x13 A 304	2	2	4	4			
	Q302022000	ARANDELA 16X6X1.2 A.304	WASHER 16X6X1.2 A.304	2	2	4	4			
	U912805000	ESCUDO FAGOR G700	FAGOR EMBLEM G700	1	1	1	1			
	Q221023000	CLIP SUJECIÓN RÁPIDA Ø5	RAPID CONNECT CLIP Ø5	2	2	2	2			

MOD.		FREIDORAS		ZONA	MUEBLE				PLANO	C-2091
ITEM	CODIGO	DENOMINACION	TEXTO	FE7-05 1C	FE7-05 2C	FE7-10 2C	FE7-10 4C			NOTAS
12	X602603000	LISTON BISAGRA SUPERIOR DCHA	UPPER RIGHT HINGE STRIP	1	1	1	1			
S/Nº	X602610000	LISTON BISAGRA SUPERIOR IZDA.	UPPER LEFT HINGE STRIP	-	-	1	1			
	Q221342000	REMACHE EXAGONAL M5	HEXAGONAL RIVET M5	7	7	12	12			
	Q152004000	TORNIL. APLASTADO M5X13 A 304	FLAT HEADED SCREW M5x13 A 304	2	2	4	4			
13	U910506000	ASA ARMARIO COMPLETO G700	FULL CUPBOARD HANDLE G700	1	1	2	2			
	Q162040000	TUERCA EXAGONAL M6	HEXAGONAL NUT M6	2	2	4	4			
	Q232040000	ARANDELA A6	WASHER A6	2	2	4	4			
14	U910503000	PUERTA LATERAL G700	SIDE DOOR G700	1	1	2	2			
	U910504000	CONTRAPUERTA LATERAL G 700	SIDE DOOR REVERSE G 700	1	1	2	2			
	Q419005000	REMACHE 4X8 ALMG3 / ALUMINIO	RIVET 4X8 ALMG3 / ALUMINIUM	4	4	8	8			
15	U020511000	BISAGRA DERECHA INFERIOR	LOWER RIGHT HINGE	1	1	1	1			
	U020517000	BISAGRA IZQUIERDA INFERIOR	LEFT LOWER HINGE	-	-	1	1			
	X960504000	TORNILLO DE GIRO M8	ROTATION BOLT M8	1	1	2	2			
	Q232040000	ARANDELA A6	WASHER A6	2	2	4	4			
	Q232050000	ARANDELA A8	WASHER A8	1	1	2	2			
	Q221342000	REMACHE EXAGONAL M5	HEXAGONAL RIVET M5	2	2	4	4			
16	X960501000	IMAN	MAGNET	1	1	2	2			
	X960502000	FIJACION IMAN	MAGNET ATTACHMENT	1	1	2	2			
	Q012021000	TORNILLO EXAGONAL M4X10	HEXAGONAL BOLT M4x10	1	1	2	2			
17	X612603000	CHAPA PROTECC. TERMOSTATO	THERMOSTAT PROTECTION PLA	1	1	2	2			
	Q221342000	REMACHE EXAGONAL M5	HEXAGONAL RIVET M5	2	2	4	4			
	X723014000	PASAMUROS Ø 30	WALL BUSHING Ø 30	-	-	-	-			
18	U912801000	PANEL LATERAL IZDO. G700	LEFT SIDE PANEL G700	1	1	2	2			
	Q221342000	REMACHE EXAGONAL M5	HEXAGONAL RIVET M5	6	6	12	12			
	Q221343000	REMACHE EXAGONAL M6	HEXAGONAL RIVET M6	4	4	8	8			
	Q221343000	REMACHE EXAGONAL M6	HEXAGONAL RIVET M6	7	7	14	14			SISTEMA PUENTE
19	X602601000	LISTON SOPORTE PATAS FG7-05	LEG SUPPORT STRIP FG7-05	2	2	-	-			
19	X602609000	LISTON SOPORTE PATAS FG7-10	LEG SUPPORT STRIP FG7-10	-	-	2	2			
	Q221343000	REMACHE EXAGONAL M6	HEXAGONAL RIVET M6	4	4	4	4			
20	X260151000	PATA REGULABLE	ADJUSTABLE LEG	4	4	4	4			
	Q411304000	REMACHE AVIBULB Ø 4,8	AVIBULB RIVET Ø 4.8	16	16	16	16			





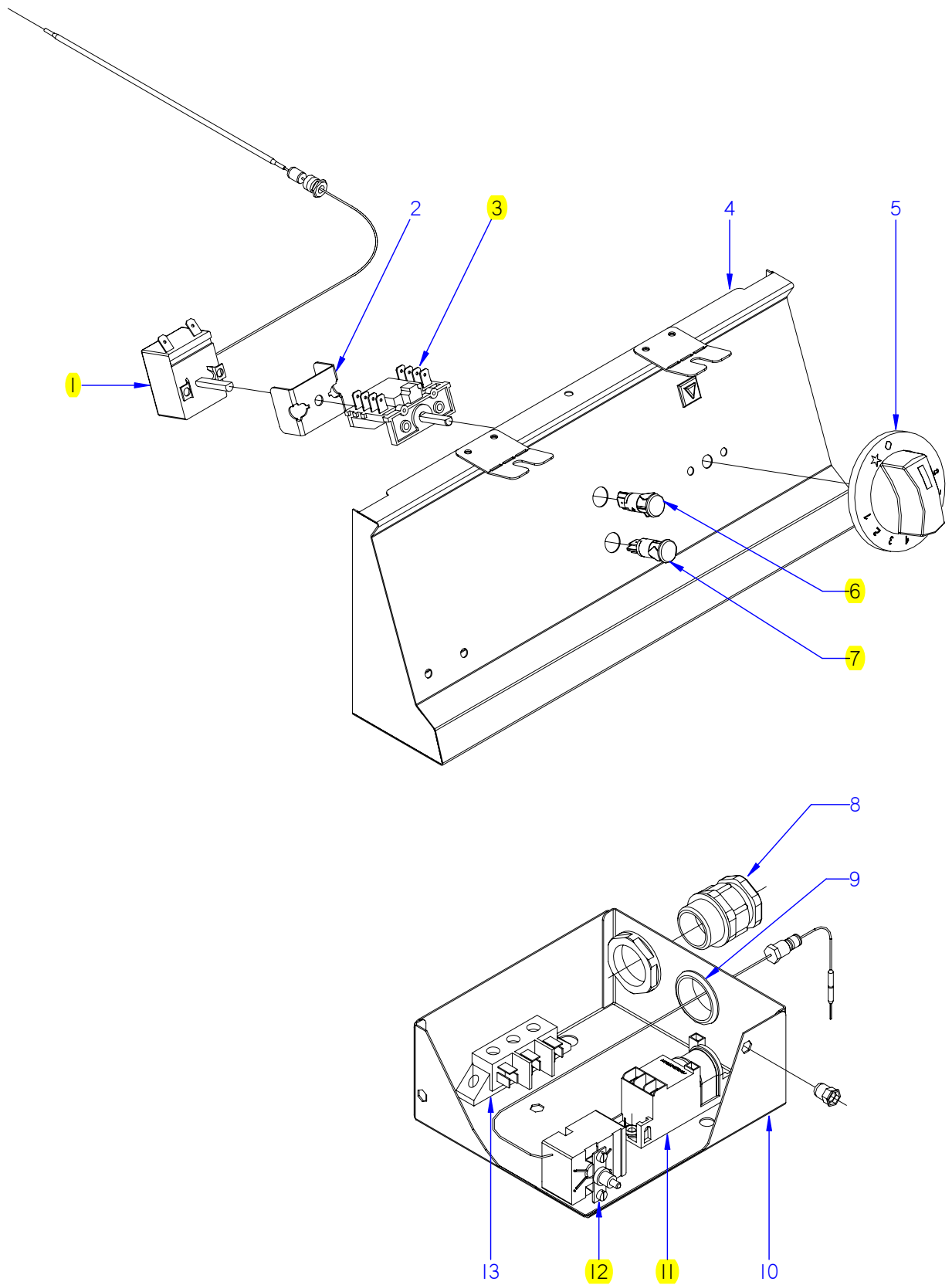


ITEM MARCADO EN COLOR = REPUESTO RECOMENDADO  
 COLOURED ITEM = RECOMMENDED SPARE PART

N plano	Firma	Fecha	Aparato	PARTE FUNCIONAL GAS	Lamina	Fagor Industrial S.Coop. <b>FAGOR</b>
C-2092	<i>[Signature]</i>	2008-06	FREIDORA FG7-05 / FG7-10		2	Oñate

MOD.		FREIDORAS		ZONA	PARTE FUNCIONAL GAS					PLANO	C-2092
ITEM	CODIGO	DENOMINACION	TEXTO	FG7-05	FG7-10						NOTAS
1	Q223021000	TUERCA EXAGONAL 15x1	HEXAGONAL NUT 15x1	3	6						
	Q301322000	ARANDELA PLANA 27x17x2	FLAT WASHER 27x17x2	3	6						
2	X015700000	QUEMADOR COMPLETO FG9-00	COMPLETE BURNER FG9-00	3	6						
	Q012043000	TORNILLO EXAGONAL M6x20 A304	HEXAGONAL BOLT M6x20 A304	6	12						
	Q302022000	ARANDELA 16x6x1,2 A.304	WASHER 16X6X1.2 A.304	6	12						
3	U325707000	REGULADOR DE AIRE	AIR REGULATOR	3	6						
	Q012031000	TORNILLO EXAGONAL M5X10 A304	HEXAGONAL BOLT M5x10 A304	3	6						
4	X312400000	TOBERA Ø 1,10 (BUTANO-PROP.)	NOZZLE Ø1.10 (BUT-PROP.)	3	6						
4	N502401000	TOBERA Ø 1,70 (GAS NATURAL)	NOZZLE Ø1.70 (GAS NATURAL)	3	6						
5	X012101000	BUJIA 915.037	SPARK PLUG 915.037	1	2						
6	X012117000	PILOTO	PILOT	1	2						
7	X012113000	AMARRE TRAS. PILOTO 978.003	REAR FASTENING PILOT 978.003	1	2						
	X012114000	AMARRE DELANT. PILOTO 978.004	FRONT FASTENING PILOT 978.004	1	2						
S/N	X012122000	REGULADOR DE AIRE 912.001	AIR CONTROL 912.001	1	2						
8	U442137000	INYECTOR Ø 0.4 (GAS NATURAL)	NOZZLE Ø0.4 (GAS NATURAL)	1	2						
9	X012126000	CUERPO SIN RAC. 901.210 (B-P)	BODY WITHOUT CONNEC. 901.210	1	2						
9	U442136000	CUERPO SIN RACORD (G-N)	BODY WITHOUT CONNEC. (G-N)	1	2						
	X012116000	TORNILLO AMARRE PILOTO	PILOT FASTENING BOLT	2	4						
10	X605007000	TUBO PILOTO COMPL FG-705	COMPL PILOT PIPE FG-705	1	2						
11	U562130000	TERMOPAR L=850	THERMOCOUPLE L=850	1	2						
12	X602607000	CHAPA PROT. ELECTROVALVULA	SOLENOID VALVE PROT. PLATE	1	2						
	X162617000	PEGATINA POSICION MANDO	CONTROL POSITION STICKER	1	2						
	Q221342000	REMACHE EXAGONAL M5	HEXAGONAL RIVET M5	1	2						
13	R275027000	CABLEADO ELECTROSIT 927.012	WIRING ELECTROSIT 927.012	1	2						
14	X605004000	ENTRADA GAS COMPL FG-705	COMPL GAS INPUT FG-705	1	2						
	Q306052000	ARANDELA Ø23,5x15,5x3	WASHER Ø23.5X15.5X3	1	2						
15	S502106000	MANGUITO DOBLE 3/4"- 1/2"	DOUBLE SLEEVE 3/4"- 1/2"	1	2						ELIMINADO 22,10,12
15	12046984	MANGUITO 1/2"-3/4"	SLEEVE 3/4"- 1/2"	1	2						INTRODUCIDO 22,10,12
	Q306013000	ARANDELA PLANA Ø30.4X22.4X3	FLAT WASHER Ø30.4X22.4X3	1	2						
16	12097292	VALVULA NOVA 820 REGULADA	VALVE REGULATED NOVA 820	1	2						
16	12024777	ELECTROVALV. 820 NOVA 60 Hz.	SOLENOID VALVE. 820 NOVA 60 Hz.	1	2						

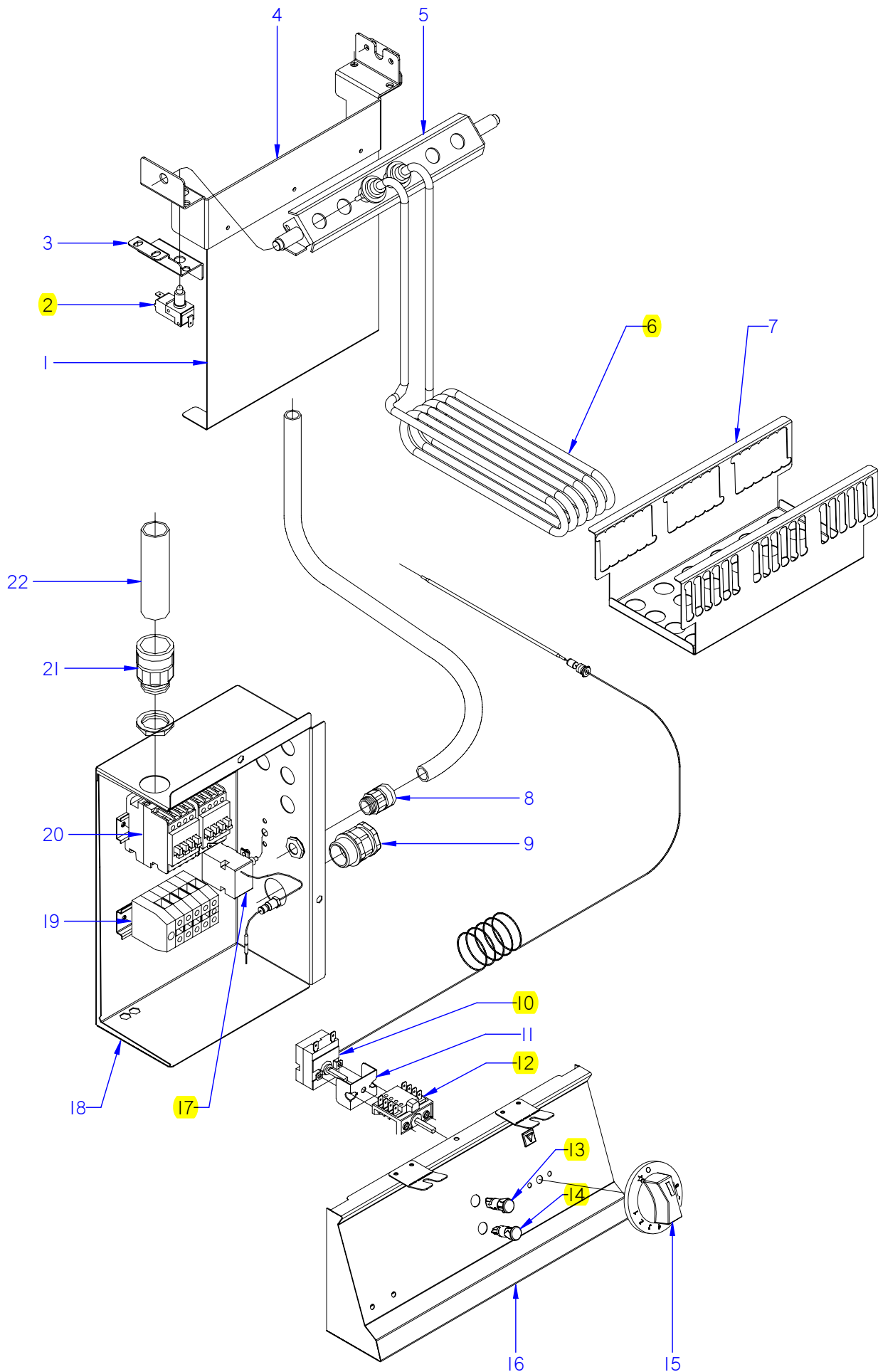




ITEM MARCADO EN COLOR = REPUESTO RECOMENDADO  
 COLOURED ITEM = RECOMMENDED SPARE PART

N plano	Firma	Fecha	Aparato	PARTE FUNCIONAL ELECTRICA	Lamina	Fagor Industrial S.Coop. <b>FAGOR</b>
C-2093	<i>(Signature)</i>	2008-06	FREIDORA FG7-05 / FG7-10		3	Oñate

MOD.		FREIDORAS A GAS		ZONA	PARTE FUNCIONAL ELECTRICA				PLANO	C-2093
ITEM	CODIGO	DENOMINACION	TEXTO	FG7-05	FG7-10					NOTAS
1	X163010000	TERMOSTATO	THERMOSTAT	1	2					
2	X313001000	U SOPORTE TERMOSTATO	THERMOSTAT U SUPPORT	1	2					ELIMINADO 01.03.10
	Q151320000	TORN. ALOMADO M4x6 H.ZINCADO	HEXAGONAL CURVED HEAD M4x6	2	4					
3	X163007000	CONMUTADOR ACOPLE TERMOS.	THERMOSTAT CONNECT SWITC	1	2					
4	X602802000	PORTAMANDOS COMP. FG-705	COMP. CONTROL HOLDER FG-70	1						
4	X602804000	PORTAMANDOS COMP. FG-710	COMP. CONTROL HOLDER FG-71		1					
5	X603002000	BOTON DE MANDO Ø6 FG-700	CONTROL BUTTON Ø6 FG-700	1	2					
6	R693055000	PILOTO VERDE 41227000C7	GREEN PILOT 41227000C7	1	2					ELIMINADO 01.02.13
6	12047390	PILOTO VERDE 230V AC 8KW 16MM	GREEN PILOT 230V AC 8KW 16MM	1	2					INTRODUCIDO 01.02.13
7	R693056000	PILOTO AMBAR 41227000A4	AMBER PILOT 41227000A4	1	2					ELIMINADO 01.02.13
7	12024669	PILOTO AMBAR Ø18	AMBER PILOT Ø18	1	2					INTRODUCIDO 01.02.13
8	R023013000	PRENSA ESTOPAS	STUFFING BOX	1	2					
	R023025000	CONTRATUERCA GAES	COUNTERNUT GAES	1	2					
	R023026000	JUNTA DE GOMA GAES	RUBBER SEAL GAES	1	2					
9	X723014000	PASAMUROS Ø 30	WALL BUSHING Ø 30	1	2					
10	X603001000	CUADRO ELECTRICO FG-750 Q	ELECTRIC PANEL FG-750 Q	1	2					
	X163023000	TAPA CUADRO ELECTRICO	ELECTRIC PANEL COVER	1	2					
	Q152004000	TORNILLO APLASTADO M5x13 A304	FLAT HEADED BOLT M5x13 A304	3	6					
	Q221342000	REMACHE EXAGONAL M5	HEXAGONAL RIVET M5	3	6					
11	X163014000	ENCENDEDOR PARA 2 BUJIAS	LIGHTER FOR 2 PLUGS	1	2					
	Q082005000	TORNILLO CHAP. 4,2X13 4.2X13	PLATE BOLT 4.2X13 4.2X13	2	4					
12	X163001000	TERMOSTATO LIMITADOR	THERMOSTAT LIMITER	1	2					ELIMINADA 01.04.13
12	12048400	TERMOSTATO SEGURIDAD 245°C U	SECURITY THERMOSTAT 245 °	1	2					INTRODUCIDA 01.04.13
	Q223022000	TUERCA EXAGONAL M8X1 LATON	HEXAGONAL NUT M8x1 BRASS.	1	2					
13	U183046000	REGLETA AUXILIAR	AUXILIARY STRIP	1	2					
	Q152004000	TORNILLO APLASTADO M5x13 A304	FLAT HEADED BOLT M5x13 A304	2	4					



ITEM MARCADO EN COLOR = REPUESTO RECOMENDADO  
 COLOURED ITEM = RECOMMENDED SPARE PART

N plano	Firma	Fecha	Aparato	PARTE FUNCIONAL ELECTRICA	Lamina	Fagor Industrial S.Coop. <b>FAGOR</b>
C-2094	<i>[Signature]</i>	2008-06	FREIDORA FE7-05 / FE7-10		4	Oñate

MOD.		FREIDORAS ELECTRICAS		ZONA	PARTE FUNCIONAL ELECTRICA				PLANO	C-2094
ITEM	CODIGO	DENOMINACION	TEXTO	FE7-05	FE7-10					NOTAS
1	X322620000	SUPLEMENTO GUIA CABLES	CABLE GUIDE SUPPLEMENT	1	2					
2	X343015000	MICRORRUPTOR COD.32280001	MICROSWITCH COD.32280001	1	2					
3	X612604000	ESCUADRA IZQUIERDO GIRO G700	LEFT ROTATION BRACKET G700	1	2					
	X612605000	ESCUADRA DERECHA GIRO G700	RIGHT ROTATION BRACKET G700	1	2					
	Q012031000	TORNILLO EXAGONAL M5X10 A304	HEXAGONAL BOLT M5x10 A304	6	12					
4	X322619000	SOPORTE GIRO RESISTENCIAS	RESISTOR ROTATION SUPPORT	1	2					
	Q419005000	REMACHE 4x8 ALMG3 / ALUMINIO	RIVET 4X8 ALMG3 / ALUMINIUM	6	12					
	Q012031000	TORNILLO EXAGONAL M5X10 A304	HEXAGONAL BOLT M5x10 A304	6	12					
5	X612602000	GIRO RESISTENCIAS COMPLETO	COMPLETE RESISTOR ROTATIO	1	2					
S/Nº	X322623000	ESCUADRA PROT. CONEXIONES	CONNECTION PROT. BRACKET	1	2					
	Q152004000	TORNILLO APLAST, M5x13 A304	FLAT HEADED BOLT M5x13 A304	2	4					
6a	12024707	RESISTENCIA IZQUIERDA	LEFT RESISTOR	1	2					
6b	12024704	RESISTENCIA DECHA.CENTRAL	RIGHT CENTRAL RESISTOR	2	4					
7	X613001000	CHAPA FIJACION RESIST. FE-700	RESISTOR FASTENING PLATE FE	1	2					
S/Nº	12020909	BRIDA ALTA TEMPERATURA 130º	CLAMP HIGH TEMPERATUR. 130º	3	6					INTRODUCIDO 03.02.2014
8	X033027000	RACORD QUICK 5020.049.011	QUICK CONNECTION 5020.049.011	4	8					
	X033028000	CONTRATUERCA 790.1100.0	COUNTERNUT 790.1100.0	4	8					
9	R023013000	PRENSA ESTOPAS	STUFFING BOX	1	2					
	R023025000	CONTRATUERCA GAES	COUNTERNUT GAES	1	2					
	R023026000	JUNTA DE GOMA GAES	RUBBER SEAL GAES	1	2					
10	X163010000	TERMOSTATO	THERMOSTAT	1	2					
11	X313001000	U SOPORTE TERMOSTATO	THERMOSTAT U SUPPORT	1	2					ELIMINADO 01.03.10
	Q151320000	TORNILLO ALOMADO M4x6 H,ZINC.	CURVED SCREW M4x6 H,ZINC.	2	4					
12	X163007000	CONMUTADOR ACOUPLE TERMOS.	THERMOSTAT CONNECT SWITC	1	2					
13	12025211	PILOTO VERDE 41227000C7	GREEN PILOT 41227000C7	1	2					
14	12024254	PILOTO AMBAR 41227000A4	AMBER PILOT 41227000A4	1	2					
15	X613002000	BOTON DE MANDO Ø6 FE-700	CONTROL BUTTON Ø6 FE-700	1	2					





MOD.										
FREIDORAS			ZONA		VARIOS				PLANO	
ITEM	CODIGO	DENOMINACION	TEXTO	FG7-05	FG7-10	FE7-05	FE7-10			
	X316500000	FOLLETO INSTRUCCIÓN. FG-700	INSTRUCTION LEAFLET. FG-700	1	1					ELIMINADO 17.12.08
	X166529000	FOLLETO INSTRUCCIÓN. FG-700	INSTRUCTION LEAFLET. FG-700	1	1					INTRODUCIDO 17.12.08
	X326500000	FOLLETO DE INSTRUCC. FE7-00	INSTRUCTION LEAFLET FE7-00			1	1			ELIMINADO 17.12.08
	X186552000	FOLLETO DE INSTRUCC. FE7-00	INSTRUCTION LEAFLET FE7-00			1	1			INTRODUCIDO 17.12.08
	X163005000	ESQUEMA TEORICO ADHESIVO	THEOR. DIAGRAM LABEL	1	1					PLANO HB-14457
	X183059000	ESQUEMA TEORICO ADHESIVO	THEOR. DIAGRAM LABEL			1	1			PLANO HC-73561
	X313000000	PLANO DE MONTAJE FG7-10	ASSEMBLY PLAN FG7-10	1	1					PLANO HC-71650
	X323003000	PLANO DE MONTAJE FE-710	ASSEMBLY PLAN FE-710			1	1			PLANO HC-72123
	U323007000	CABLE ENCENDEDOR A BUJIA	LIGHTER TO SPARK PLUG CABL	1	2					
	X163002000	CABLE BUJIA	SPARK PLUG CABLE	1	2					
	X163018000	CABLEADO PORTAMANDOS	CONTROL HOLDER WIRING	1	2					
	X183060000	CABLEADO PORTAMANDOS	CONTROL HOLDER WIRING			1	2			
	X143016000	CABLEAD. REGLETA CONTACTOR	WIRING CONTACTOR STRIP			2	4			
	X323011000	CABLEADO CONTAC RESIS FE-700	RESIS CONTAC WIRING FE-700			6	12			
	X183009000	CABLEADO MICRO	MICRO WIRING			1	2			
	12046142	CABLE. TENSOR PORTAMANDOS	WIRING TENSOR PORTAMAND.	1	1	1	1			INTRODUCIDO 01,10,12

MOD.

FREIDORAS

ZONA

PIEZAS ESPECIFICAS PARA LOS DISTINTOS GASES

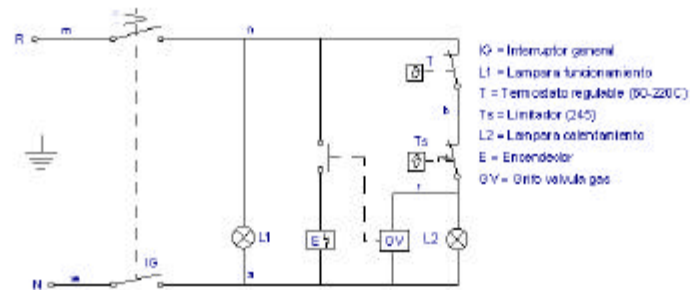
PLANO

C-2092

ITEM	CODIGO	DENOMINACION	TEXTO	FG7-05	FG7-10						
		<u>BUTANO PROPANO</u>	<u>BUTANE PROPANE</u>								
4	X312400000	TOBERA Ø 1,10	NOZZLE Ø 1.10	3	6						
9	X012126000	CUERPO SIN RAC. 901.210 (B-P)	BODY WITHOUT CONNEC. 901.210	1	2						
S/Nº	U136501000	INDICADOR BUTANO-PROPANO	INDICATOR BUTANE-PROPANE	1	1						
		<u>GAS NATURAL</u>	<u>NATURAL GAS</u>								
4	N502401000	TOBERA Ø 1,70	NOZZLE Ø 1.70	3	6						
8	U442137000	INYEKTOR Ø 0.4	INJECTOR Ø 0.4	1	2						
9	U442136000	CUERPO SIN RACORD (G-N)	BODY WITHOUT CONNEC. (G-N)	1	2						
S/Nº	U134402000	INDICADOR GAS-NATURAL	INDICATOR GAS-NATURAL	1	1						

MOD.	FREIDORAS		ZONA	PIEZAS ESPECIFICAS PARA VERSION AUSTRALIA			PLANO	
ITEM	CODIGO	DENOMINACION	TEXTO	FG7-05 A	FG7-10 A			
		<u>BUTANO PROPANO</u>	<u>BUTANE PROPANE</u>					
4	X312400000	TOBERA Ø 1,10	NOZZLE Ø 1.10	3	6			C-2092
9	X012126000	CUERPO SIN RACORD 901.210 B-P	BODY WITHOUT CONNECTION 9	1	2			
S/Nº	U136501000	INDICADOR BUTANO-PROPANO	INDICATOR BUTANE-PROPANE	1	1			
		<u>GAS NATURAL</u>	<u>NATURAL GAS</u>					
4	U112402000	TOBERA Ø 2,10	NOZZLE Ø 2.10	3	6			
8	U442137000	INYECTOR Ø 0.4	INJECTOR Ø 0.4	1	2			
9	U442136000	CUERPO SIN RACORD (G-N)	BODY WITHOUT CONNEC. (G-N)	1	2			
S/Nº	U134402000	INDICADOR GAS-NATURAL	INDICATOR GAS-NATURAL	1	1			
	X163050000	ESQUEMA TEORICO ADHESIVO A	THEOR. DIAGRAM LABEL	1	1			PLANO HB-70479
	X153020000	CABLEADO LIMITADOR A	LIMITER WIRING A	1	2			

MOD.		FREIDORAS		ZONA		REPUESTOS RECOMENDADOS RECOMMENDED SPARE PART				PLANO	
ITEM	CODIGO	DENOMINACION	TEXTO	FG7-05	FG7-10	FE7-05	FE7-10				
7	X036107000	VALVULA ESFERA PASO TOTAL 1	SPHERICAL VALVE TOTAL PASS	1	1	2	2				C-2091
5	X012101000	BUJIA 915.037	SPARK PLUG 915.037	1	2						C-2092
6	X012117000	PILOTO	PILOT	1	2						C-2092
7	X012113000	AMARRE TRAS. PILOTO 978.003	REAR FASTENING PILOT 978.003	1	2						C-2092
	X012114000	AMARRE DELANT. PILOTO 978.004	FRONT FASTENING PILOT 978.004	1	2						C-2092
S/N	X012122000	REGULADOR DE AIRE 912.001	AIR CONTROL 912.001	1	2						C-2092
8	U442137000	INYECTOR Ø 0.4 (GAS NATURAL)	NOZZLE Ø0.4 (GAS NATURAL)	1	2						C-2092
9	X012126000	CUERPO SIN RAC. 901.210 (B-P)	BODY WITHOUT CONNEC. 901.210	1	2						C-2092
9	U442136000	CUERPO SIN RACORD (G-N)	BODY WITHOUT CONNEC. (G-N)	1	2						C-2092
11	U562130000	TERMOPAR L=850	THERMOCOUPLE L=850	1	2						C-2092
13	R275027000	CABLEADO ELECTROSIT 927.012	WIRING ELECTROSIT 927.012	1	2						C-2092
14	X605004000	ENTRADA GAS COMPL FG-705	COMPL GAS INPUT FG-705	1	2						C-2092
	Q306052000	ARANDELA Ø23,5x15,5x3	WASHER Ø23.5X15.5X3	1	2						C-2092
16	12097292	VALVULA NOVA 820 REGULADA	VALVE REGULATED NOVA 820	1	2						C-2092
16	12024777	ELECTROVALV. 820 NOVA 60 Hz.	SOLENOID VALVE. 820 NOVA 60	1	2						C-2092
17	12046785	CABLE VALVULA GAS NOVA 960.015	VALVE GAS NOVA 960.015 CABL.	1	2						C-2092
1	X163010000	TERMOSTATO	THERMOSTAT	1	2						C-2093
3	X163007000	CONMUTADOR ACOPLA TERMOS.	THERMOSTAT CONNECT SWITC	1	2						C-2093
6	12047390	PILOTO VERDE 230V AC 8KW 16MM	GREEN PILOT 230V AC 8KW 16MM	1	2						C-2093
7	12024669	PILOTO AMBAR Ø18	AMBER PILOT Ø18	1	2						C-2093
11	X163014000	ENCENDEDOR PARA 2 BUJIAS	LIGHTER FOR 2 PLUGS	1	2						C-2093
12	12048400	TERMOSTATO SEGURIDAD 245°C U	SECURITY THERMOSTAT 245 °	1	2						C-2093
2	X343015000	MICRORRUPTOR COD.32280001	MICROSWITCH COD.32280001			1	2				C-2094
6	X323010000	RESISTENCIA IZQUIERDA	LEFT RESISTOR			1	2				C-2094
S/Nº	X323009000	RESISTENCIA DECHA.CENTRAL	RIGHT CENTRAL RESISTOR			2	4				C-2094
10	X163010000	TERMOSTATO	THERMOSTAT			1	2				C-2094
12	X163007000	CONMUTADOR ACOPLA TERMOS.	THERMOSTAT CONNECT SWITC			1	2				C-2094
13	12047390	PILOTO VERDE 230V AC 8KW 16MM	GREEN PILOT 230V AC 8KW 16MM			1	2				C-2094
14	12024669	PILOTO AMBAR Ø18	AMBER PILOT Ø18			1	2				C-2094
17	12048400	TERMOSTATO SEGURIDAD 245°C U	SECURITY THERMOSTAT 245 °			1	2				C-2094



IG = Interruptor general  
 L1 = Lámpara funcionamiento  
 T = Termostato regulable (90-220°C)  
 Ts = Limitador (245)  
 L2 = Lámpara calentamiento  
 E = Encendedor  
 GV = Orificio válvula gas

m=marfil-ivory-ébanon      v=verde-green-vert  
 n=negro-black-noir      g=gris-grey-gris  
 r=rojo-red-rouge          az=azul-blue-bleu  
 b=blanco-white-blanc

X 163005

**NOTAS:**

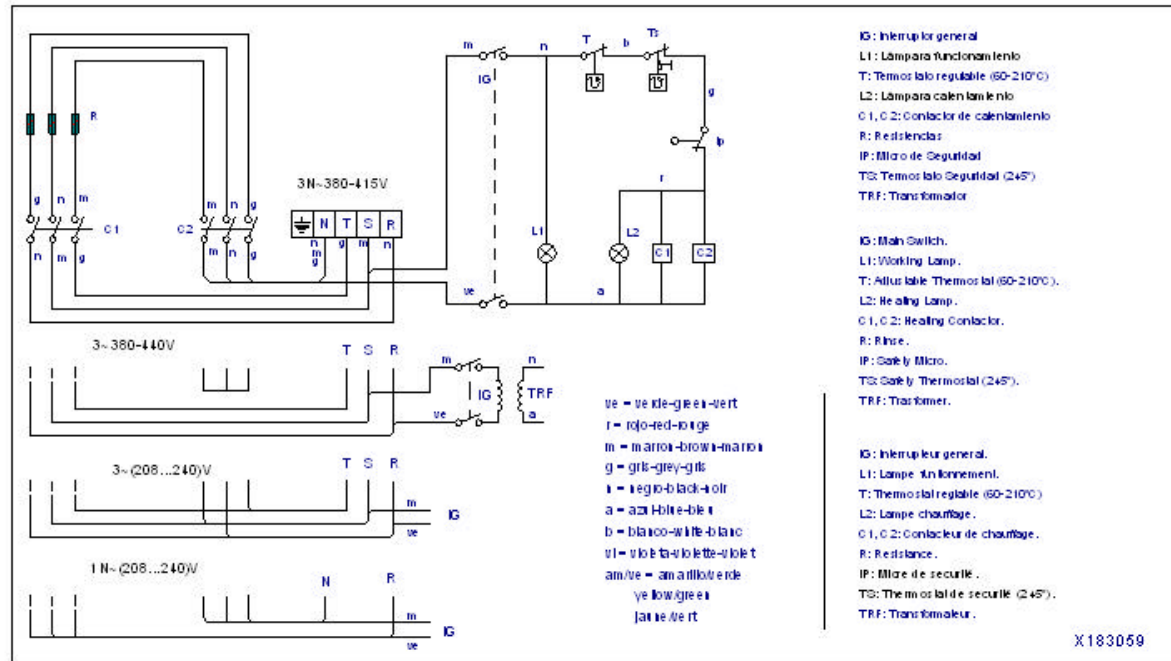
- GRABACIONES: COLOR NEGRO
- FONDO: COLOR NATURAL
- LA PLACA SERA AUTOADHESIVA POR LA CARA POSTERIOR Y RECUBIERTO POR UN PAPEL PROTECTOR.
- LAS INSCRIPCIONES RESISTIRAN SIN MODIFICACION APRECIABLE, EL FROTAMIENTO DURANTE 15 SEG. DE UN ALGODON EMPAPADO EN GASOLINA.

ALUMINIO BRILLO (SOLID-FOIL)

e=ALUMINIO+PROTECTOR=0,2

400  
-001

Esquema teorico adhesivo FG-B1,2D		X163005				
Nº	Pieza	Materia	Nº Clasificación	Acabado		
Nº	Modificación	Propuesta de	Fecha	Tolerancias generales		
1	Modificación general (pasar a fabri interi)	Plazaola	23-5-97	$\leq +$ $5-25 \pm$ $26-50 \pm$	$50-100 \pm$ $> 100 \pm$ $< X \pm$	
		Firma	Fecha	Mezclada superficial		
Dibujado		JON	03-8-14			
Proyectado						
Concebido						
Escala		Fagor Industrial, Raso E.I., Mugeluz			Plano numero <b>HB-14457-1</b>	
<b>FREIDORAS</b>				Sustituye el Nº		
				Sustituido por		
Para la instalación ver el manual de usuario						



**NOTAS**

- Las inscripciones resistirán sin modificación apreciable el frotamiento durante 15 seg. de un algodón impregnado en gasolina.

Plastico blanco alto brillo

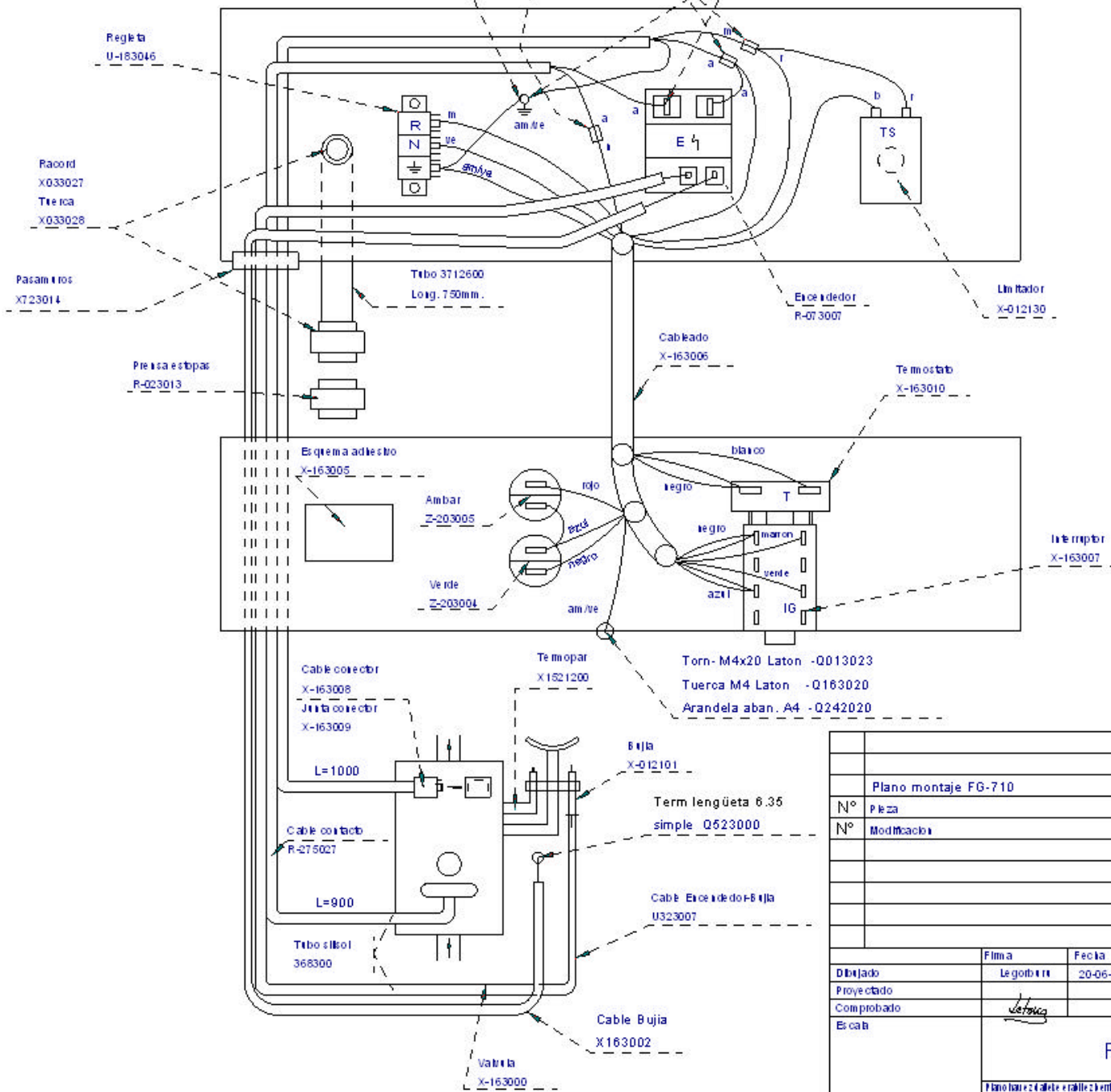
Esquema teorico adhesivo				X183059	
Nº	Pieza	Cart.	Material	Nº Cbs. Modos	Acabado
Nº	Modificación		Propositor	Fecha	Tolerancias generales
⊙	Introducir texto componentes en placa.		Maillo	14-02-2000	<5± : 50-100± : 5-25± : >100± : 25-50± : <X± :
Dibujado		Firma	Fecha	 Mecanizado superficial	
Proyectado		HO NTX I	23.6.98		
Comprobado					
Etiqueta		Fagor Industria/koop. Ek. Migatza			Plano número
1/1		FREIDORA ELECTRICAS			HC-73561 -1
Plano para el cableado de la placa que alimenta gas					Sistema al N°
					Sistema de por

Torn- M4x20 Laton -Q013023  
 Tuerca M4 Laton -Q 163020  
 Arandela aban. A4 -Q242020  
 Term lengüeta 6.35 simple-Q523000

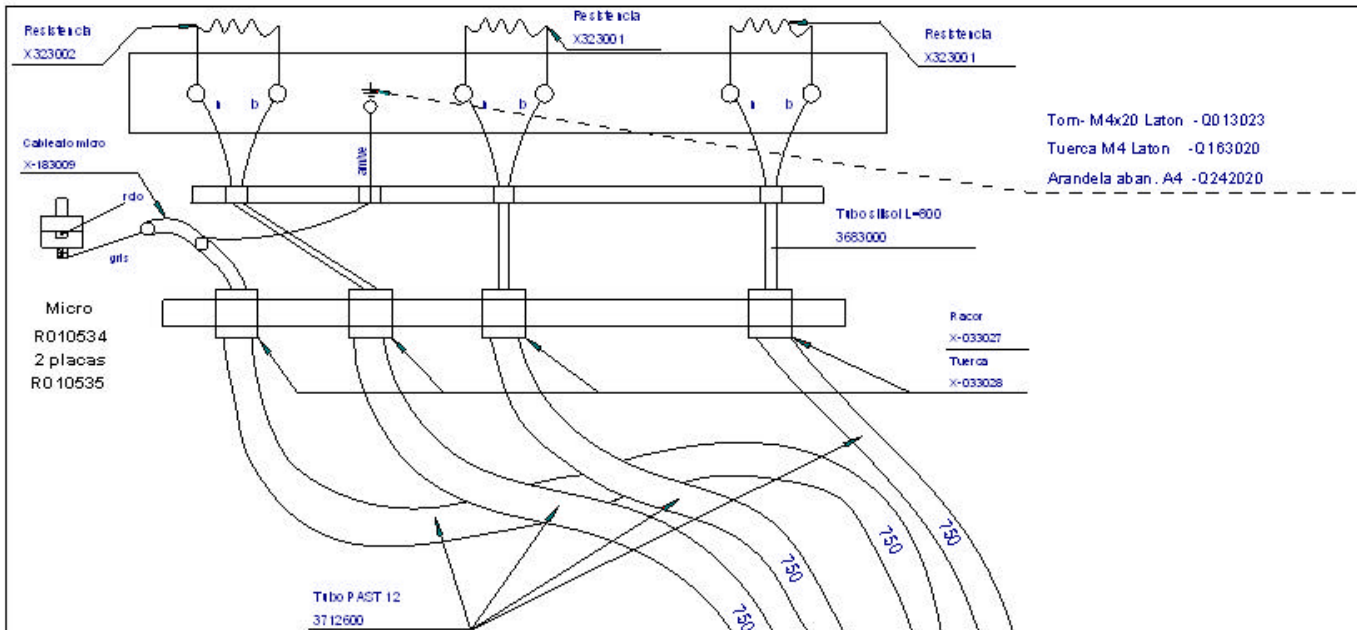
Funda para macko  
 Q-578006  
 Terminal macko  
 Q-523001  
 Terminal kembra Q-603005  
 Funda Q-678002

**TOMA EQUIPOTENCIAL**

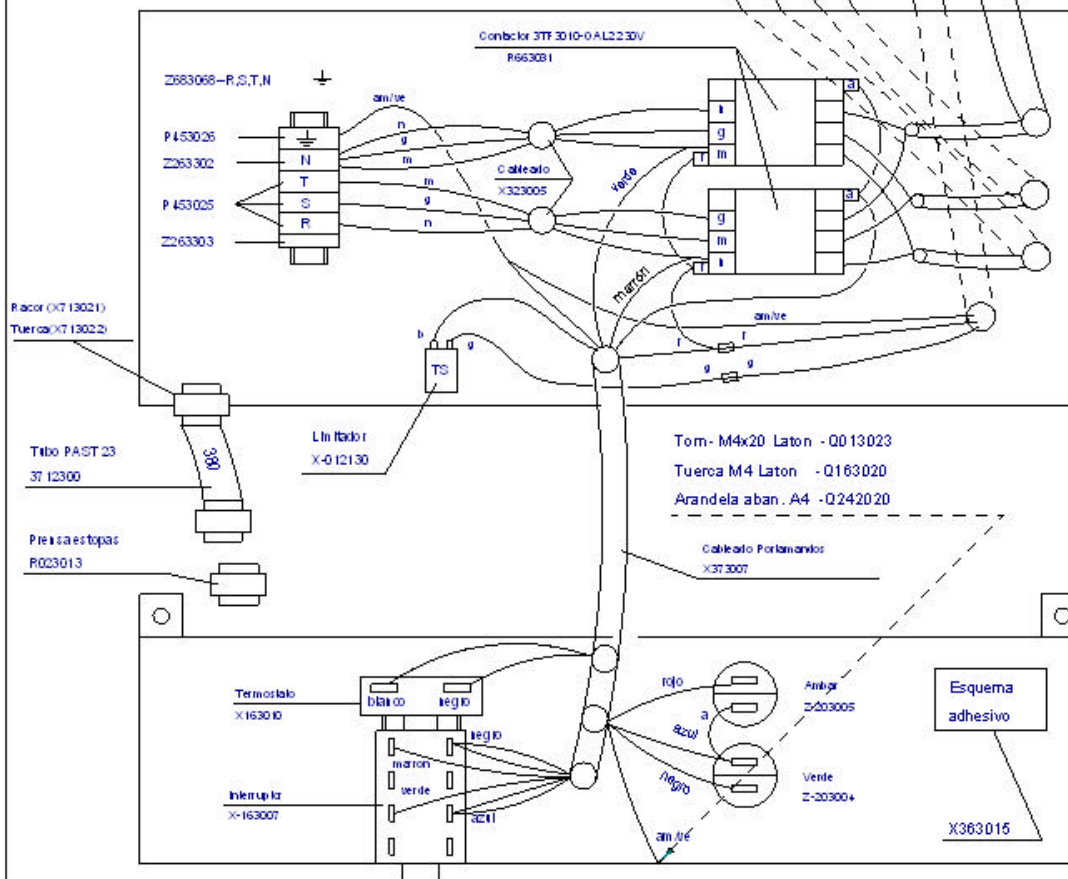
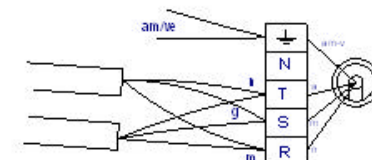
- Q013023-TORNILLO EXAG M4x20 LATON. .... 1
- Q163020-TUERCA EXAG M4 LATON. .... 2
- Q221901-TUERCA CUADRADA M4. .... 1
- Q242040-ARANDELA ABANICO A4 AISI304. .... 2
- Q563004-LENGÜETA COMPONENTES. .... 1
- Z803021-CHAPITA TIERRA. .... 1
- Z803022-PLACA ASIENTO CONEXION MASA. .... 1



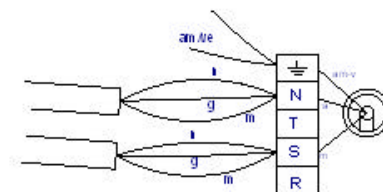
Plano montaje FG-710		X313000				
Nº	Pieza	Cont.	Material	Nº Clasificación	Acabado	
Nº	Modificación	Proposición		Fecha	Tolerancias generales	
					<5±	50-100±
					5-25±	>100±
					25-50±	∞±
Dibujado		Fecha	FAGOR		Mecanizado especial	
Proyectado		Le gortari	20-06-95			
Comprobado			Fagor Industria/koop.Ek. Migatua			
Elab.						
FREIDORAS				Plano número		
				HC-71650		
Plano base e cable e cable e kembra para el alimentador				Sustituye al N°		
				Sustituido por		



220V.3~



240V.~



**TOMA EQUIPOTENCIAL**

- ..... 1
- Q013023-TORNILLO EXAG M4x20 LATON. .... 1
- Q163020-TUERCA EXAG M4 LATON. .... 2
- Q221901-TUERCA CUADRADA M4. .... 1
- Q242040-ARANDELA ABANICO A4 AISI304. .... 2
- Q563004-LENGÜETA COMPONENTES. .... 1
- Z603021-CHAPITA TIERRA. .... 1
- Z603022-PLACA ASIENTO CONEXION MASA. .... 1

380...415V.3N~

Esquema practico FE-710				X323003	
Nº	Pieza	Cart.	Material	Nº Clas. Mecacido	Acabado
Nº	Modificacio	Propuesta de		Fecha	Tol. en miliseg. seriales
					<5±
					5-25±
					> 100±
					25-50±
					OX±
Dibujado		Firma	Fecha	Mecacido superficial	
Proyectado		Legorbur	21-05-96		
Comprobado					
Escala				Fagor Industrial, Coop. Eki, Miraflores	
<h1>FREIDORAS</h1>				Plano numero	
				<h2>HC-72123</h2>	
<p>Para hacer cableado es necesario leer manual de cableado</p>				Sustituye al N°	
				Sustituye por	



